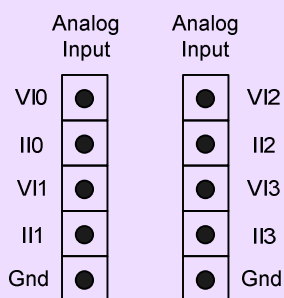


### Introduction

FBs-B4AD is one of the analog Input expansion boards of FATEK FBs series PLC. For analog input it provides 4 channels of A/D inputs with 12-bit (coded in 14 bits) resolution. The Input signal types (voltage or current) can be selected by the field wiring.

### Pin Assignment



### Specification

#### Analog Input

**Total Channels :** 4 Channels

**Resolution :** 12 bits

**Coding Format :** 14 bits ( 0 ~ 16380 )

**Signal Resolution :** 2.44mV(Voltage), 4.88uA(Current)

**Registers Occupied :** 4 Registers ( D4072 ~ D4075 )

**Conversion Time :** Updated each scan

**Accuracy :**  $\pm 1\%$

**Max. Absolute Input Rating :**

$\pm 15V$ (Voltage), 30mA(Current)

**Input Impedance :** 100K $\Omega$ (Voltage), 125 $\Omega$ (Current)

**Measurement Range :** 0 ~ 10V(Voltage)

0 ~ 20mA(Current)

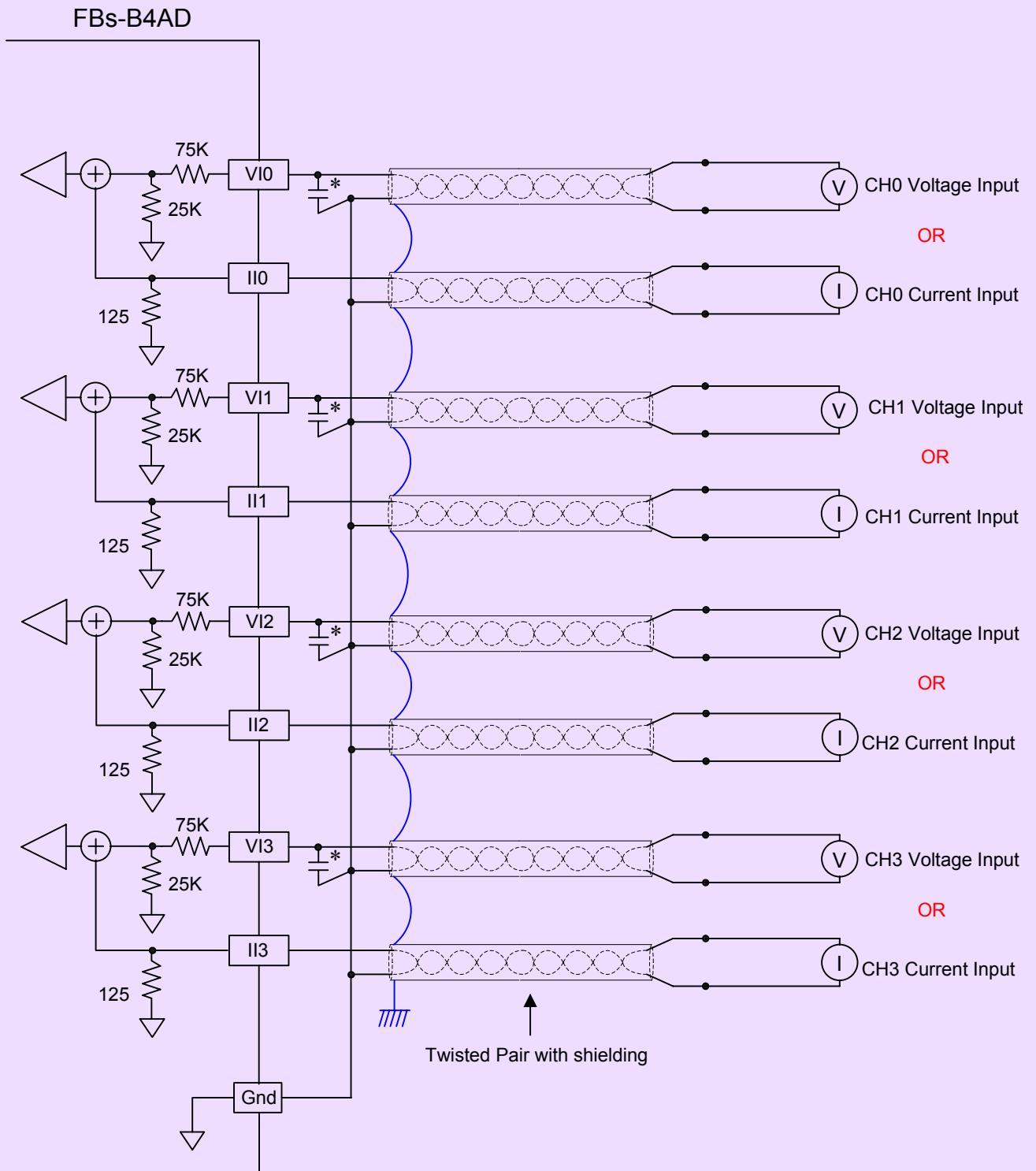
**Indicator(s) :** No

**Internal Power Consumption :** 5V, 100mA (Max. Load)

**Operating Temperature :** 0 ~ 60  $^{\circ}C$

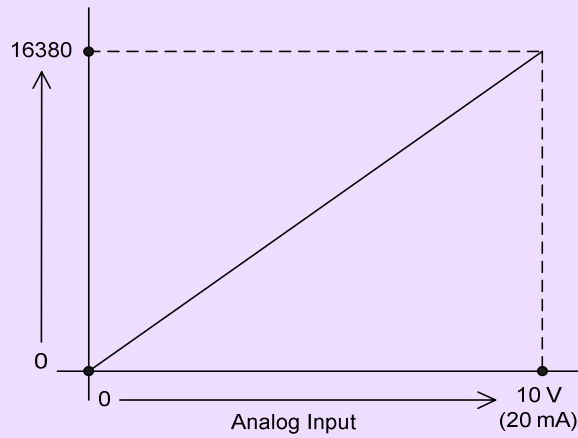
**Storage Temperature :** -20 ~ 80  $^{\circ}C$

## Wiring Diagram



\*0.1~0.47 uF capacitor ( to filter noise ).....Advice to Install, but not necessary!!

### Characteristics Charts



### Registers allocation Map

	Channel No.	Mapped Register
Analog Input	CH0	D4072 ( 0 ~ 16380 )
	CH1	D4073 ( 0 ~ 16380 )
	CH2	D4074 ( 0 ~ 16380 )
	CH3	D4075 ( 0 ~ 16380 )